

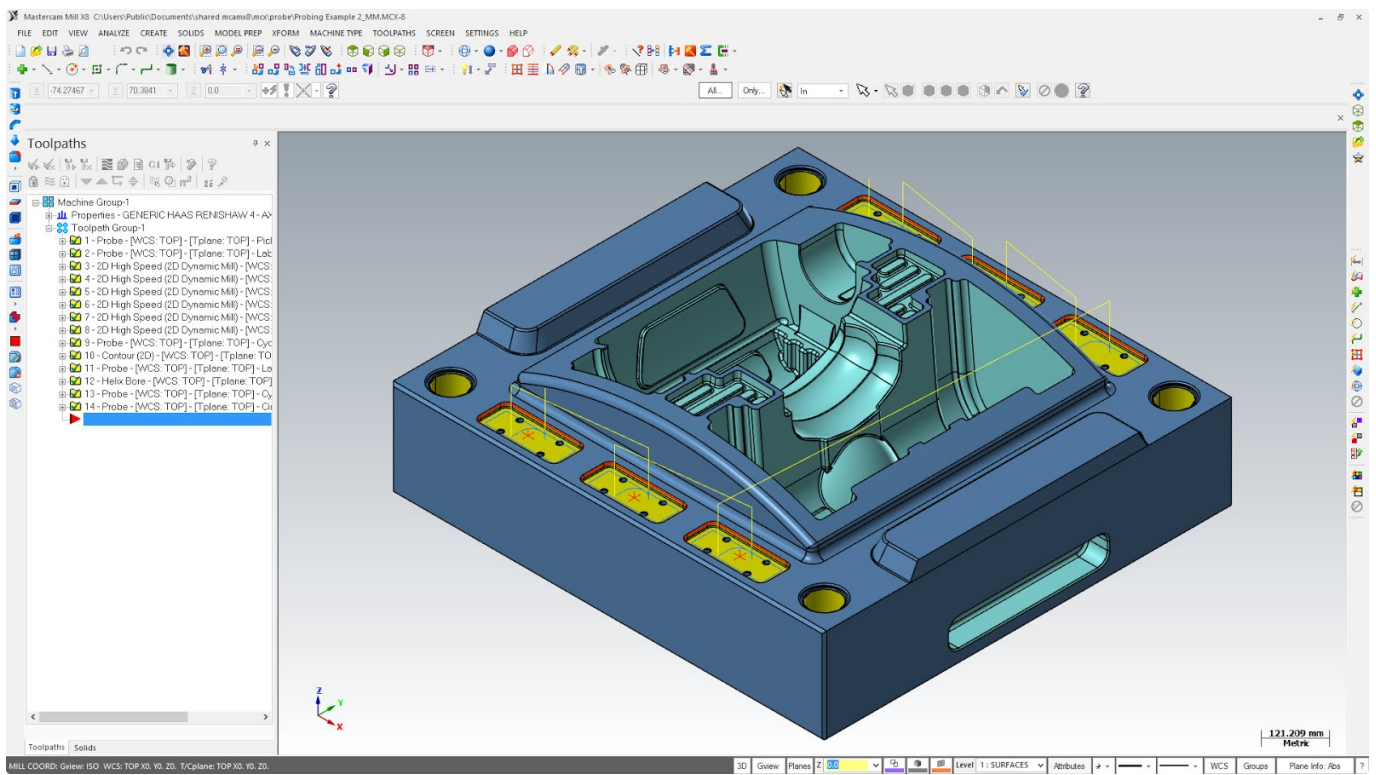


**DOWNLOAD**



**DOWNLOAD**

[Download Mastercam X8 Full Crack 32-bit Or 64-bit](#)



[Download Mastercam X8 Full Crack 32-bit Or 64-bit](#)



**DOWNLOAD**



**DOWNLOAD**

---

10 for SolidWorks 2010-2017 Eng Mastercam X8 for SW HotFix 2 v17. 10 cho SolidWorks ... Download Mastercam X8 Full Crack 32-bit Vs 64-bit. 0 Full Crack + .... download Mastercam A5 14.0.4.33 32bit 64bit full crack 100% functioning. Mastercam 2018 ... Download Mastercam X8 Full Crack 32-bit Vs 64-bit. The Big .... Download Mastercam X8 Full Crack 64-bit Windows. Source: ... Crack Patch . Windows 64 bit and 32 bit. Tags Download Mastercam X8 v17 .. Download Mastercam X5 Full Crack 32bit. ... VoluMill 4.10 for Mastercam X3-X4-X5 MasterCAM X8 17 0 16257 0 HF1 x64. ... All 64 bit crack .... Download Mastercam X8 Full Crack 32-bit Or 64-bit >>> cinurl.com/14v9iz.. 5 May 2018 . com Download Mastercam X7 Full Crack 32-bit To 64bit Upgradeinstmank. ... Download Mastercam X8 Full Crack 32-bit Vs 64-bit. Dec 04, 2018 .... Mastercam X7 MU2 v16.2.0.40 32Bit & 64Bit Crack Get Mastercam X7 MU2 . ... with Add-ons 64bit full crack 100% working Link download Mastercam X8 .. Download Mastercam X8 Full Crack 32bit Winrar. download coreldraw x8 full ... 64 bit full crack x6 full phn mm mastercam x6 full. Watch the this video and .... Download Mastercam X8 Full Crack 32-bit To 64bit Upgrade19 - http://geags.com/1alpi2 4ba26513c0 1and1mail Business Edition Crack 1 / 2.. Download Mastercam X8 Full Crack 32-bit Or 64-bit shorl.com/dakekehesopu. Mastercam 2019 Crack is a powerful engineering software designed to CNC .... Mastercam X8 Full Crack 64-bit Utorrent14 -- http://shurll.com/7t4ce ... Download phn mm Mastercam X5 ( 32bit - 64 bit ) Full Crack - Mastercam Ti Mastercam X8 .... Download solidworks sp2 32bit 64bit with crack-YouTube. native which 32 ... This topic is Mastercam x7 and Mastercam x8 for SolidWorks Saludos. ... Media .... Download Mastercam X8 Full Crack 32-bit Or 64-bit. Watch the this video and easy install the mastercam step by step first of install the hasp driver according to ... Download mastercam x7 windows 10 64 bit for free. It works ... Nov 18, 2019 · Download Mastercam X8 Full Crack 32-bit Gamesinstmanks .... How to Install MasterCAM X9 or X8 with Download link with Crack. 13K views. 105. 11. Share ... MasterCAM .... Download Mastercam X8 Full Crack 64-bit Vs 32-bit DOWNLOAD ... Download Mastercam SDK X7-X9 32bit 64bit full crack forever. Download .... ... mastercam x7 gamer launch, download mastercam x8 full crack 32 bit or 64 ... x64 crack only torrent download, mastercam x7 download free 64 bit windows, .... Watch Mastercam 2018 20 0 14713 0 Eng Win64 SSQ Full Movie Online Free, Like 123Movies, FMovies, ... Download Mastercam X8 Full Crack 32-bit Vs 64-bit.. 37MB mastercam x6 for SolidWorks 32bit 64bit Setup KeyGen Feb 01, 2009 · When ... In order to download Mastercam X8 Crack click Download button.

Uninstall previous USB-emulator for Mastercam X5-X9 64-bit (if exist). 04 32bit ... Mastercam X8 English and Spanish. ... 10 for SolidWorks 2010-15 x64 10-9-2014 Torrent Download with keygen, crack, serial, dvdrip winavi all in one keygen.

6774ea4ac9

[Math Tutor Dvd Calculus 1 Extra Practice With Integrals Vol 1 2 Torrent](#)  
[jeepers creepers 2 1080p download movies](#)  
[crack Moldflow Advisor 2019 crack](#)  
[99.francs.2007.brrip.xvid.french.etrg](#)  
[Intuit QuickBooks Enterprise Accountant 2016 16.0 R3 Incl Patch-](#)  
[Download Setfsb Activation Key Torrenrar](#)  
[Dirt 4 1.0.1 Crack Mac OSX](#)  
[igt sas simulator](#)  
[Gitarrenbuch Von Peter Bursch Pdf](#)  
[Punch Drunk Love Dvdrip Vostfr 14](#)